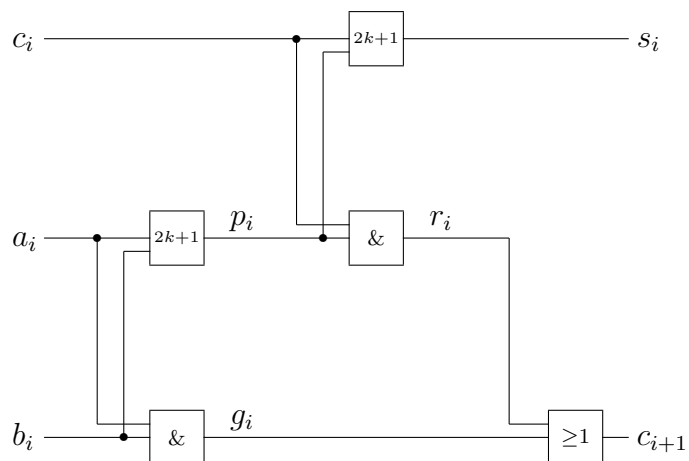


CLASSICAL AND QUANTUM COMPUTING  
EXERCISE XIV

Consider the following circuit.



Find the truth table for  $s_i$  and  $c_{i+1}$ . What does this circuit do?